



NEWS FOR AND BY BARS MEMBERS

BARS meetings are now “hybrid” – the meeting will be held at the Chelmsford Bible Church and available simultaneously on Zoom.

The safety and well-being of our membership is important to us. Those members who feel uncomfortable attending in person can continue to join us over Zoom.

--BARS Management.

A Message from the President By Doug Bruce, N1WRN

Greetings Fellow Members,

I hope everyone is having a great summer. This summer, the sun has been doing some crazy things to the HF bands as it reaches it's 11-year solar maximum. I hope everyone has had time this summer to get on the air while we have had extraordinary SFN numbers in the 200's. The bands have been inconsistent but when they are good, they are really great. A lot of patience is called for lately when navigating the HF bands.

If the propagation is not there, I don't care what kind of radio and antenna you have, you are not going to work the DX stations!

I have been slowly pecking away at my 5 Band DXCC Award from the ARRL. The first 70-75 countries are relatively easy to get, but the last 25 on each band get harder and harder. Perseverance and the ability to know what propagation is good at what time is key to snagging those DX stations. As my Elmer always tells me you have to be on when they are on to work them!

I would recommend Clublog, a logging program that has a very reliable propagation area on the website. You can type in the

BARS Billerica Amateur Radio Society

AUGUST 2024

country you are looking to work, then enter your country, and it will give you a band by band listing of QSO's by time in UTC time.

Clublog has a lot of very handy features for the DX'er. They have the Most Wanted List, which shows you how rare the country/entity you are trying to work is. It ranges from the United States (Least rare, obviously) to the rarest, North Korea, where there has not been a ham radio transmission for well over twenty years! (The last time a station was operating in North Korea, there were two soldiers at the ham station with AK47 rifles! Talk about a pressure packed station! He was on for an hour in the AM and an hour in the PM and that was it!)

About two years ago, I saw the P5A prefix come up on my FT8 window! I worked the station and called my Elmer to tell him! He kind of chuckled and said I fell victim to a pirate! I was on top of the world before I called him and he brought me swiftly back to earth by pointing out that it was a pirate station! Live and learn I guess!

Clublog also has other great features such as DXCC charts, which breaks down your contacts by worked status, confirmed status and verified status. It is a good depository as a backup for your log incase anything happens to your primary log program, such as the issues that surfaced with LOTW lately.

Another nice feature in Clublog is the DX Cluster, a real time program showing DX spots all over the globe. This is very handy for chasing DX. Just click on the line and your radio will go directly to the listed frequency so you can try and work the particular station that was spotted.

I would highly recommend Clublog as a valuable asset for the ham who wants to chase DX.

On another note, I would like to know from anyone reading this column what your feelings are about in person meetings. We had an enthusiastic response for our first in person meeting but the attendance gradually went down and we only had four attendees aside from Mark Nelson and myself at the May meeting. That is why we went to Zoom only meetings for the summer. Please email

me at the BARS email address and let me know how you feel about in person meetings resuming in September.

In closing, I hope everyone tries to get on the air this summer, especially on 10,12, 15 and 17 meters, as these bands will tend to dry up as we slowly head away from this summer's Solar Maximum.

As always, I wish everyone good DX and remember, we are a GOTA Club, so get on the air and make some contacts!

Until next time,

73,
Doug
N1WRN

Next BARS Zoom meeting: August 7 at 7:00 PM - "A Virtual Tour of WWVH"

Presenter: Steve Johnston, WD8DAS, via
YouTube

I would like to announce our "guest speaker video" for the August 7, 2024, Club meeting via Zoom. We will be having a YouTube video discussing the operations of radio station WWVH in Hawaii.

This video is a virtual tour of the NIST shortwave time standard station for the Pacific which broadcasts on 2.5, 5, 10 and 15Mhz with highly accurate frequency and time signals, propagation (geomagnetic storm) bulletins and other special announcements.

Steve Johnston, WD8DAS, has been a builder, repairer, and restorer of electronic equipment nearly all his life. He started by taking apart radios as a youngster and became a ham at age 13. He was active in school radio clubs, including University of Akron club station W8UPD in Ohio, and the international N.E.R.T. radio club. All this ultimately led to his career as a broadcast engineer.

In the rare hours not spent with radio he pursues other interests such writing, beekeeping, and history. Steve has been a ham since 1976 and lives near Madison with his wife, Christy.

Steve has experimented on the 630-meter band (472-479 kHz). These projects demonstrated that ham operation using practical rigs and suburban-size antennas will work on this band.

Much more information can be found at <http://www.wd8das.net>.



We will announce the link to join the Zoom meeting before the meeting, but it will be posted to the BARS email list and should not be shared outside our Club. Are you on the email list? If not, please send an email to bars-subscribe@w1hh.org and then simply reply to the robot response from the server and you will be subscribed.

Observing our Zoom meeting requires only a web browser and headphones/speakers. You do not need a webcam or microphone unless you want to speak or be seen.

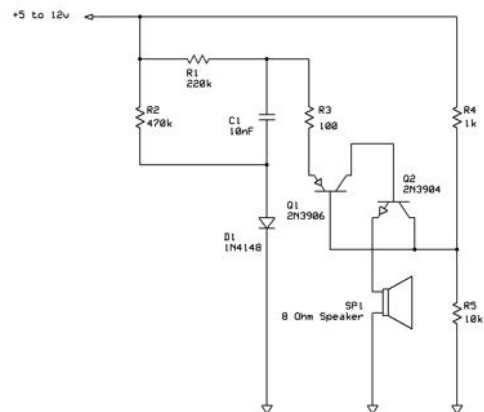
Before our meeting date, please go to <https://zoom.us/test> and see if it will function for you. If you have problems, we can try to assist – feel free to ask questions on the BARS email list.

I am looking forward to “seeing” many of you there on Wednesday 8/7 at 1900.

Doug, N1WRN
President, Billerica Amateur Radio Society

From the Editor's Desk By Marla Wallace, WA1GSF

Need a quickie audio oscillator circuit? Try this:



This circuit will generate a square wave at about 440 Hz, depending on the power supply voltage. You could use it as a code practice oscillator by keying the supply voltage. Q1 and Q2 are impersonating a [programmable unijunction transistor](#), which is no longer an easy part to find. This page: [Collection of Programmable UJT Circuits](#) has a bunch of interesting circuits you can play with. Get out your breadboard and try a few.

Feature Article: “Field Day 2024” By Mark Nelson, KA1INE

This year’s event was a lot of fun and I want to thank everyone for contributing to its success! The weather cooperated while we set up the antennas and stations, and the food was certainly plentiful. We were hosted by Kevin Fallon and the Billerica EOC of which we are grateful for bathrooms and staying indoors.

We had 36 people sign in with one professional visitor, Miranda Andrews, RN who works with the Emergency room staff. There was also a proud youth operator Aki Kajita, shown in the photo below admiring the public service display about Ham radio. He and his dad Nori are always ready to give a hand setting up the antennas every year and it’s much appreciated. Thanks to Art Pizer for contributing the public display and earning us extra points! We were also visited by Phil Temples, K9HI who is the New England Division Vice Director.



We had two Icom 756 stations running as call sign W1HH running as 2F EMA. One station was working the 80 & 40 Meter bands on a dipole made by Bruce, W1LUS which he has been using since the 70’s, it’s always a performer! The other station was working 20, 15 & 10 meters on the beam. We had one more Icom 756 set up for 6 Meters but the band was very quiet the whole time so attention was given to the beam. There were also 7 Radiograms sent with 6 of them successfully delivered.

Now for the statistics of how field day went! We had a goal of reaching 1000 QSO’s so it was a hefty lift from last year’s 733. We had a total of 905 QSO’s so we did a great job approaching our

goal. In no certain order, here are the operators who made it happen and the points accumulated.

AA1NK	15
AOK	35
K1DC	164
K1OA	48
KA1INE	96
KB1KTR	9
KC1NMX	61
KY1B	11
N1ALO	12
N1HTS	19
N1WRN	26
NF1A	84
W1HH	1
W1LUS	10
WO1N	307
Total	905

Band	Mode	QSOs	Pts	Pt/Q
3.5	CW	70	140	2
7	CW	168	336	2
7	LSB	203	203	1
14	CW	114	228	2
14	FT4	96	192	2
14	FT8	41	82	2
14	USB	134	134	1
21	CW	29	58	2
21	FT4	7	14	2
21	FT8	14	28	2
21	USB	7	7	1
28	CW	4	8	2
28	FT4	1	2	2
28	FT8	9	18	2
50	FT8	5	10	2
50	USB	3	3	1
Total	Both	905	1463	1.6

2024-06-23 1759Z - 5.0 QSO's per minute (1 minute(s)), 300 per hour by KA1INE (FT4 & FT8)
2024-06-23 0809Z - 2.4 QSO's per minute (10 minute(s)), 144 per hour by N1WRN N1ALO
2024-06-23 0814Z - 1.5 per QSO's minute (60 minute(s)), 90 per hour by W1HH N1WRN AOK NF1A W1LUS KC1NMX

There were so many of you who contributed to field day so it’s impossible to recognize everyone but thank you all so much for making this a success for the club. Doug and I appreciate the effort put in and we look forward to next year’s field day!

73,
Mark Nelson
KA1INE

Field Day Photos





Announcements

Ticket Information for the Northeast HamXposition

The Northeast HamXposition is taking place from August 22nd - 25th in Marlborough, MA.

It's our "local" convention, and a wide range of activities are taking place. The webpage (with information on hotels and ticket purchase) is <http://www.hamxposition.org>.

73 de

Bruce, K1BG
HamXposition Marketing and Promotion

HAMXPOSITION Is Coming

The ARRL New England Convention known as HAMXPOSITION will be held August 22-25, 2024 at the Best Western Royal Plaza Hotel, 181 Boston Post Road (Route 20 West), Marlborough, MA 01752. Telephone: (508) 460-0700.

- General Admission Charge: \$18.00 P/P.
- Flea Market Spaces: \$12.00 (First) and additional spaces are \$15.00 Each.
- Convention Packages range from \$109.00 to \$139.00.

You may review the website: <https://hamxposition.org> for Vendors and Forums information.

License Test Sessions:

- Saturday: 9:00am -11:00sm and 1:00pm - 4:00pm
- Sunday: 10:00am - 12:00pm

Technician In A Day Study Course

Saturday: 8:00am - 5:00pm

Register for FRN Before Class

Cost: Adults: \$40.00; Children Under 18: \$30.00

Sign Up on HAMXPOSITION webpage under the Tech Course TAB. More information about the Class is available there.

I hope to see you there.

73,

Bill Poulin, WZ1L

Northeast HamXposition Press Release, June 1, 2024:

ROBUST LINEUP OF VENDORS AND SPEAKERS AT THE 2024 NORTHEAST HAMXPOSITION

For more information, visit: <https://hamxposition.org>

Plans are shaping up for the 2024 Northeast HamXposition and New England Division Convention on August 22-25, 2024 in Marlborough, Massachusetts. This year's convention will be held at the Best Western Royal Plaza Hotel & Trade Center, 181 Boston Post Road W, Marlborough, MA 01752. This venue is located off of I-495 on Route 20 west. It offers many amenities and lots of nearby family-friendly attractions and dining options.

The festivities kick off on Thursday evening, August 22 with entertainment provided by nationally known comedian Juston McKinney. Seating is limited to 250 people. Tickets are just \$35, and also available as part of the "Convention Plus" package.

Join your fellow hams for a delicious DXCC/Contest Banquet on Friday night with Yuri Onipko, VE3DZ, as he recaps his 50 years of DX and contesting activities and shares his operating experiences from a variety of locations around the world.

Steve Goodgame, K5ATA, will present the keynote on Saturday morning. Steve leads ARRL's Education and Learning Department. He has a passion for youth outreach, and works constantly to find ways to engage more youth in wireless technology and help teachers ELEVATE their STEM programs.

The Saturday evening Grand Banquet will feature special guest Dr. Tamitha Skov, WX6SWW. Known as "Space Weather Woman"

in social media, Dr. Skov forecasts and analyzes space weather processes – in the heliosphere and exosphere.

Several new vendors will have their wares on display at the convention this year: FlexRadio, Elecraft, and SteppIR Communications Systems. We'll also feature Halibut Electronics, Club Gear Online, Reliance Antennas. Remote Ham Radio, VE2DX Electronics, Gold Medal Ideas, AG Custom Gifts, and others.

New for 2024 is "Mini-Contest University," based on K3LR's popular Contest University. CTU has been featured at the Dayton Hamvention since 2007 and has been presented in 15 countries to over 10,000 participants. Mini CTU is a series of contest-oriented talks and presentations offered at HamXposition all day Friday.

HamXposition is pleased to offer a Parks On The Air (POTA) track featuring presentations designed for both newcomer and experienced POTA operators alike. There will be a functioning portable station operating on the hotel grounds designed to show beginners how to "chase" POTA contacts. In addition, an actual POTA activation will occur in a nearby state park following the prize drawing and closing ceremony.

This year, volunteers will staff a special "Get On The Air" station, W1XPO, to mentor and assist newcomers in making their first HF contact.

Our popular EmComm track will be back for 2024. Veteran emergency communicators will share their knowledge and experience to help others to "up their game." In addition to talks and presentations, convention goers will get to see operational emergency communications vehicles on display in the parking lot.

As always, the Northeast HamXposition will feature a robust flea market, open to tailgaters on Friday, Saturday and Sunday.

No major convention would be worth its salt without great prizes. Along with hourly drawings, we're pleased to announce that one lucky person will receive the grand prize—an Icom IC-705 QRP all-in-one transceiver. Second prize will be a Xiegu X6100 QRP HF/6m transceiver. The third prize will be an Icom ID-50A VHF/UHF/D-Star handheld. Tickets can be purchased in advance by visiting <https://ticketing.hamxposition.org>.

The ARRL Diamond, The National Association for Amateur Radio, Amateur Radio Emergency Service, ARES, ARES logo, National Traffic System, NTS, and NTS logo are either registered trademarks or trademarks of American Radio Relay League, Inc.

Parks On The Air and POTA are registered trademarks belonging to Jason Johnston, W3AAX.

© 2024 Northeast HamXposition™ -- [Privacy Policy](#)

when you take an online upgrade exam the test question format will be familiar. With HamStudy.org practice tests you should use the keyboard to select the answer, A, B, C, or D and not your mouse as that is the way online exams are run.

--de Bruce Anderson, W1LUS

Secretary's Reports

from Marla Wallace, WA1GSF, Secretary

July BARS General Meeting

I was unable to attend the July meeting; I completely forgot about it!

July BARS Board of Directors Meeting

There was no Board of Directors meeting in July.

BARS Membership

Our current combined membership is 134, with 18 that haven't renewed their membership for 2024. Please check your email and your "Junk email" to see if you have a renewal invoice from PayPal.

Anyone with a question about their renewal status can email me at W1LUS@hotmail.com to get your current membership status.

from Bruce Anderson, W1LUS, Treasurer

2024 BARS Member Dues

A \$15 annual BARS membership begins on January 1st and expires on December 31st. Any renewal or new membership made after September 1st will be valid until December 31st of the following year. Memberships allow us to

- pay our bills,
- maintain our great web page,
- fund field day,
- and bring the membership a great variety of informative meetings and speakers.

Treasurers Report for July 2024

Dues for 2024 are now due. Dues for 2024 will remain at \$15. Dues can be paid several ways:

- via bank-to-bank transfer with Zelle, Venmo, PayPal, etc. by sending \$15 to bars.dues@outlook.com,
- with credit card by using the Join/Renewal membership form on the W1HH.org website,
- or with cash or check by mailing \$15 to Billerica ARS, 16 Regis Road, Tewksbury, MA 01876

In July, we had no income; our expenses were Zoom \$16.99, and one stamp at \$0.53. We now have \$427.00 in the bank and \$1189.00 in our PayPal account for a total of \$1616.00.

Bruce Anderson
W1LUS

BARS Needs You!!!

We are looking for a few good hams to act as net control on the regularly scheduled Wednesday night nets! All it takes is one night a month; if you are interested contact Doug, N1WRN.

Also, the club needs volunteers for light tasks of about 1 hour a month. Are you able to pitch in? Contact Doug Bruce, N1WRN.

Wednesday Night Net

Join us on the Westford 146.955 Repeater for the weekly BARS net each Wednesday at 8:00 PM (**except on the first Wednesday of the month which is club meeting night**). *Note: Thanks to the Westford Police Amateur Radio Team (PART) for their generous act of making their repeater available to us.*

Repeater info:
WB1GOF
146.955 MHz
-600 kHz (normal) offset
Encode CTCSS 74.4 Hz

Reminder: "kerchunking" the repeater is not only impolite, it's illegal. It constitutes an unidentified transmission. If you need to check that you're making the repeater, say something like "This is <your call> standing by on the frequency." Thanks for your courtesy.

Club Meetings

Club meetings are held in person (weather permitting) and via Zoom. A link will be sent via the BARS email reflector to all currently paid-up members who might wish to attend via Zoom.

Club meetings are held on the first Wednesday of the month at 7 PM Eastern time.

VE Sessions

Our VE sessions are held in-person at the Chelmsford Bible Church. Pre-registration for our in-person exams is suggested. Contact w1lus@hotmail.com for registration information.

VE sessions are held every month on the 2nd Thursday at 7:00 PM at Chelmsford Bible Church, 128 Gorham St., Chelmsford MA. Park in back and enter by rear door. [Chelmsford Bible Church](#)

[Hall, 128 Gorham St, Rear Door, Chelmsford MA 01824-3220](#)
([map](#))

VE Session Report for July 2024

We had three people show up for the June 11th VE exam session. We created two new Technicians, KC1VCN and KC1VPN, and a General upgrade, KC1UZQ. Be sure to greet them if you hear them on the air. Thanks to Gary W1GFF, and Bill W1ZL for helping run this exam session.

Our next exam session will be on August 8 at 7:00 PM. At the Chelmsford Bible Church.

While walk-ins are still welcome it speeds the process up if you pre-register for your BARS VE exam session at <https://HamStudy.org>.

--de Bruce Anderson, W1LUS

BARS Does breakfast every Saturday.

On Saturday mornings at 8:15AM, we meet for a casual, social breakfast at Stelio's restaurant in Billerica.

[Stelio's Family Restaurant, Billerica, MA](#)

Future Meetings

The September meeting will be on 9/4 and will be hybrid – in person and via Zoom.

Subscribe to the BARS Mailing List

To subscribe to the BARS email list, send a blank email to bars-subscribe@w1hh.org and watch for an automated reply. Note that bars-subscribe is all one word.

Reply to that message from the list server and you are then subscribed.

To post to the list, address your email to bars@w1hh.org

August Get-on-the-Air Suggestions from Scott Ginsburg, K1OA

BARS is a “get-on-the-air” (GOTA) club. We encourage members to participate in the varied events on HF and VHF.

Here are the popular suggestions for this month:

Date	Event
Aug 3-4	10-10 Int. Summer Contest, SSB ** http://www.ten-ten.org/index.php/activity/2013-07-22-20-26-48/qso-party-rules
Aug 3-4	North American QSO Party, CW https://www.ncjweb.com/NAQP-Rules.pdf
Aug 17-18	North American QSO Party, SSB https://www.ncjweb.com/NAQP-Rules.pdf
Aug 18	ARRL Rookie Roundup, RTTY https://www.arrl.org/rookie-roundup

** Top recommendation for this month

Recurring Events – visit webpage for exact times and dates:

K1USN Slow Speed Test - Every Friday 20:00 UTC / Every Monday 00:00 UTC <http://www.k1usn.com/sst.html>

Straight Key Century Club (SKCC) Weekend Sprintathon – the Saturday following the 6th of every month at 1200 UTC
http://www.skccgroup.com/operating_activities/weekend_sprintathon

Details on each contest above and more events can be found every week on the WA7BNM contest calendar at:
<https://www.contestcalendar.com/weeklycont.php?mode=custom&week=current>

BARS Leadership Team

OFFICERS:

President: Doug Bruce, N1WRN

Vice President: Mark Nelson, KA1INE

Treasurer: Bruce Anderson, W1LUS

Secretary: Marla Wallace, WA1GSF

BoD: Bill Poulin, WZ1L

BoD: Steve Wedge, W1ES/4

Ex Officio: Gary Frascarelli, W1GFF

VOLUNTEERS:

Net Coordinator: Doug Bruce, N1WRN

Newsletter Editor: Marla Wallace, WA1GSF

New Member Outreach: John Fisher, KC1FTJ

Field Day Chair: Mark Nelson, KA1INE